



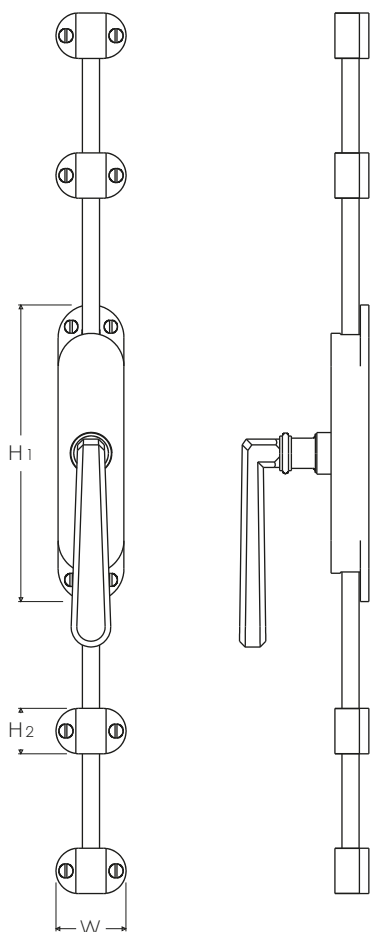
# ATELIER BONOMI

## Cremonese Aste Esterne Serie Wien - 251HL Wien Series Cremon Bolt Set - 251HL

Dimensioni  
Dimensions

H1	H2	W
157	24	37

Dimensioni in millimetri  
Dimensions given in millimeters



Fornita con 2 aste (1250mm), 4 passanti, 2 finali e viti legno in finitura coordinata.  
Disponibile in tutte le finiture standard.

Dimensioni e finiture su misura disponibili su richiesta.

Regularly furnished with 2 rods (1250mm), 4 guides, 2 strikes and wood screws in matching finish.  
Additional sizes available by special order. Available in standard and custom finishes.